

AZURE

lighting solutions

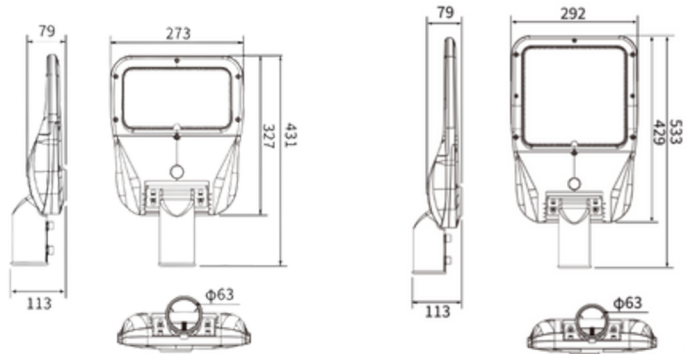


Noctura Street Light



SYDNEY
AUSTRALIA

WWW.AZURELIGHTINGSOLUTIONS.COM



Product Name:	Avalon.430	Avalon.530
Power Consumption:	45W-150W	200W-250W
Total luminous flux:	7875lm to 26250lm	35000lm to 437500lm
Beam Angles:	T2,T3,T4,Asymmetric	T2,T3,T4,Asymmetric

General Specifications

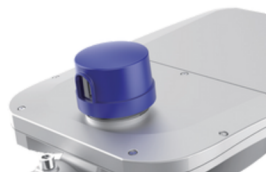
Fixture Material:	Die Cast Aluminium
Finish:	Grey, Custom
Mounting:	Pole Mounted
LED Type:	SMD
Binning:	3 Step MacAdam
Correlated Colour Temperature	3000K, 4000K, 5000K, 6000K
Colour Rendering Index:	>80
Ambient Operating Temperature:	-25° to 50°
Driver:	Meanwell
Driver Input Voltage:	220-240VAC 50-60Hz
Control Options:	Non Dim, 0-10V, DALI, LoRa Control, Photocell, Timer, Remote Control
THD:	<10%
Surge Protection:	10KV
Lumen Maintenance:	L80 B10 100,000 Hours
Sockets:	Zhaga and Nema(3,5,7Pin options)
IP Rating:	IP66
IK Rating:	IK10
Warranty:	10 Years

Features

Enviromental Plug



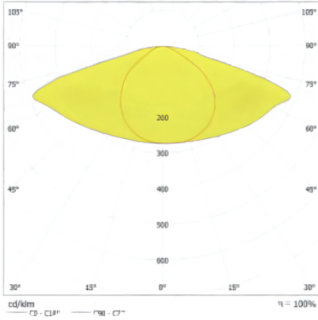
Multi Function Sensor



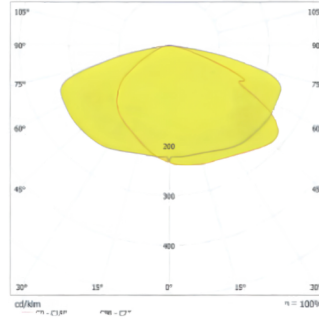
Lumen values are based on CRI80 at CCT 4000K

All product specifications and data are subject to change without notice

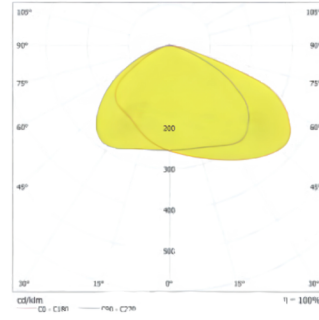
Photometrics



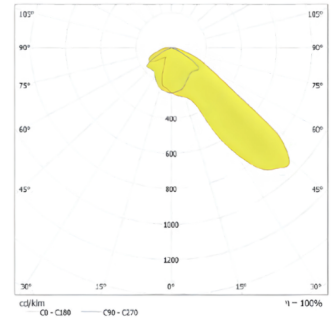
Type I



Type II



Type V



Asymmetric

Specification Code

Noctura.430 . 45 . 830. N. T2. G

45=45W
75= 75W
100= 100W
150= 150W

830=3000K
840=4000K
850=5000K
860=6000K

N=NON DIM
D=DALI
0=0-10V
Z=Zigbee
LW=LoraWan

T2= T2
T3=T3
T4=T4
T5=T5

G=Gray

Noctura.530 . 200 . 830. N. T2. G

200=200W
250= 250W

830=3000K
840=4000K
850=5000K
860=6000K

N=NON DIM
D=DALI
0=0-10V
Z=Zigbee
LW=LoraWan

T2= T2
T3=T3
T4=T4
T5=T5

G=Gray

Accessories

+ . PC . MS .

PC= Photocell
0=None

MS=Motion Sensor
0=None