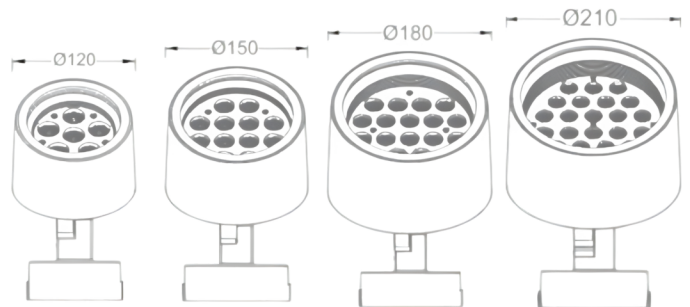


# AZURE

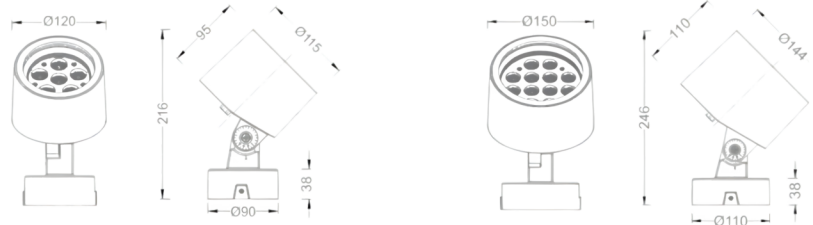
lighting solutions



## Elara Projector Light



SYDNEY  
AUSTRALIA  
[WWW.AZURELIGHTINGSOLUTIONS.COM](http://WWW.AZURELIGHTINGSOLUTIONS.COM)



### Product Specifications

Product Name:	Elara.120	Elara.150
Power - Single Colour:	15W,18W,24W	36W,42W,48W
Power - RGB, RGBW, TW:	15W,24W,32W	36W,48W,60W
Total luminous flux:	Up to 3680lm	Up to 5520 lm
Beam Angles - Single Colour:	5°,8°,10°,12°,20°,25°,30°,40°,45°,60°,10*22°,15*55°,20*60°	
Beam Angles RGB, RGBW, TW:	25°,40°,60°	

### General Specifications

Fixture Material:	Die Cast Aluminium
Finish:	White, Black, Grey, Custom
Glass:	4mm Toughened Glass. - Optional ( Honeycomb Louver, Diffused Glass)
Mounting:	Surface, Pole, Garden Spike, Tree Ring
LED Type:	SMD
Binning:	3 Step MacAdam
Correlated Colour Temperature	2200,2700K, 3000K, 4000K, 6000K, RGB,RGBW,Tunable White, Custom
Colour Rendering Index:	>90
R9 Value:	>50
Ambient Operating Temperature:	-25° to 50°
Driver Input Voltage:	24VDC, 220-240VAC 50-60Hz
Control Options:	Non Dim, DALI, Casambi, PWM, DMX512
Protection Class:	Class I, Class III
Lumen Maintenance:	L80 B10 60,000 Hours
IP Rating:	IP66
Warranty:	5 Years

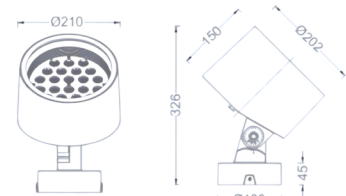
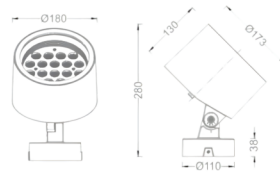
### Accessories



Lumen values are based on CRI90 at CCT 3000K

All product specifications and data are subject to change without notice

### Product Specifications



Product Name:	Elara.180	Elara.210
Power - Single Colour:	42W,48W,54W,60W	66W,72W
Power - RGB, RGBW, TW:	42W-72W	42W-100W
Total luminous flux:	Up to 7200lm	Up to 9000 lm
Beam Angles - Single Colour:	5°,8°,10°,12°,20°,25°,30°,40°,45°,60°,10*22°,15*55°,20°*60°	
Beam Angles RGB, RGBW, TW:	25°,40°,60°	

### General Specifications

Fixture Material:	Die Cast Aluminium
Finish:	Surface, Pole, Garden Spike, Tree Ring
Glass:	4mm Toughened Glass. - Optional ( Honeycomb Louver, Diffused Glass)
Mounting:	Surface, Pole, Garden Spike, Tree Belt
LED Type:	SMD
Binning:	3 Step MacAdam
Correlated Colour Temperature	2200,2700K, 3000K, 4000K, 6000K, RGB,RGBW,Tunable White, Custom
Colour Rendering Index:	>90
R9 Value:	>50
Ambient Operating Temperature:	-25° to 50°
Driver Input Voltage:	24VDC, 220-240VAC 50-60Hz
Control Options:	Non Dim, DALI, Casambi, PWM, DMX512
Protection Class:	Class I, Class III
Lumen Maintenance:	L80 B10 60,000 Hours
IP Rating:	IP66
Warranty:	5 Years

### Accessories



Lumen values are based on CRI90 at CCT 3000K

All product specifications and data are subject to change without notice

## Colour Rendering Index

The Color Rendering Index (CRI) serves as a metric to gauge how accurately a light source portrays the colors of various objects in a given space. Originally comprised of 8 sample colors, the CRI has expanded to 15 samples to provide a more comprehensive evaluation. Notably, within these samples, R9 to R15 focus on assessing special colors with high chroma. Specifically, R9 evaluates the rendering of red tones, while R15 is dedicated to evaluating the portrayal of skin tones. This extension of color samples, coupled with attention to high-chroma colors, enhances the precision in evaluating a light source's ability to faithfully reproduce a diverse range of colors.

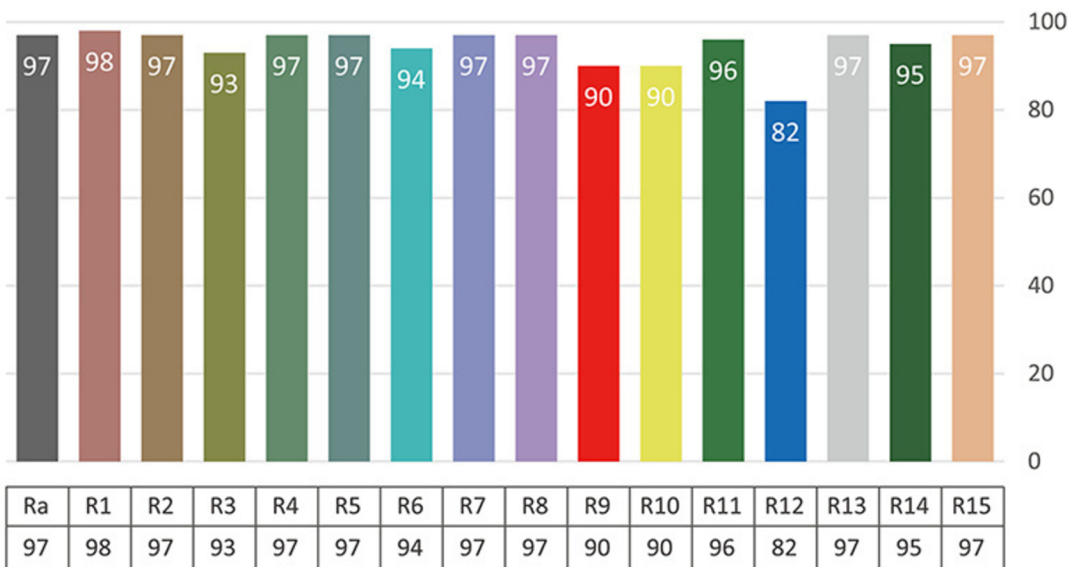
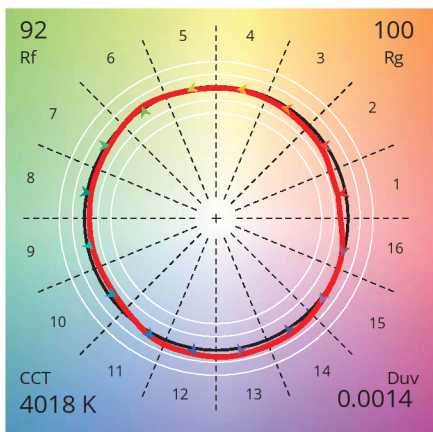


Fig 1 - Colour Rendering Index 4000K, CRI >95

**TM30** Rf 92  
Rg 100



## IES TM-30

TM-30 is the Illuminating Engineering Society (IES) Method for Evaluating Light Source Color Rendition, is a standard developed by the IES to assess the color rendering properties of light sources. It provides a comprehensive set of metrics and values that go beyond the traditional color rendering index (CRI), offering a more detailed and accurate understanding of how well a light source renders colors.

Fig 2 -Colour Vector Graphic 4000K, CRI >90